

## contents

### steel tube sections

slotted steel tube sections	2.1
-----------------------------	-----

### modular steel equipment

steel modular systems	2.2
-----------------------	-----

back panels	2.3
-------------	-----

slimlock system	2.4
-----------------	-----



Slimline's Steel Modular system is designed to offer strength and durability to display systems. Slotted steel tubular sections can be used individually to create wall or perimeter system uprights or they can be built into mid-floor or gondola systems. Higher and bigger displays can be created using steel due to its strength and ability to take weight.

By adding folded metal back panels the system meets the term modular and can be altered in height and width, often not requiring additions or alteration.

With the addition of the new Slimlock product you can now create a merchandising system with only a 3mm wide identification. This, along with a wide range of bespoke accessories allows you to create a marked difference from the standard Slimline extrusions. All the accessories are available in either satin or polished stainless steel.

Slotted steel uprights can be manufactured from various sizes of square, rectangular and round tubes. Several slot patterns are available as standard and variations can be produced to your specific requirements.

Finishes include Epoxy Powder Coating and Chrome Plating.

A wide range of accessories are available. Please contact us to discuss your specific requirements.

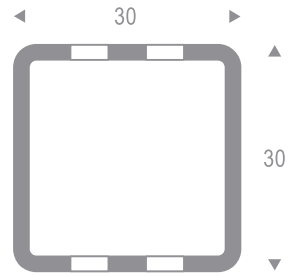


This information is the strict copyright of Slimline Ltd and no portion should be used without written consent. We reserve the right to make changes to product specifications at any time. Slimline is a registered trade mark.

This information is the strict copyright of Slimline Ltd and no portion should be used without written consent. We reserve the right to make changes to product specifications at any time. Slimline is a registered trade mark.

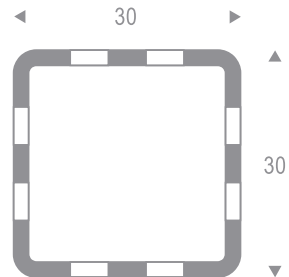
### SL405

2-way square steel post  
twin slotted, pitch 32mm



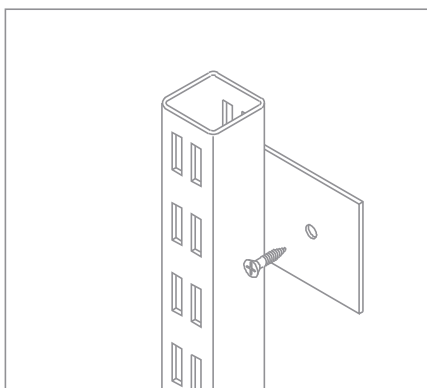
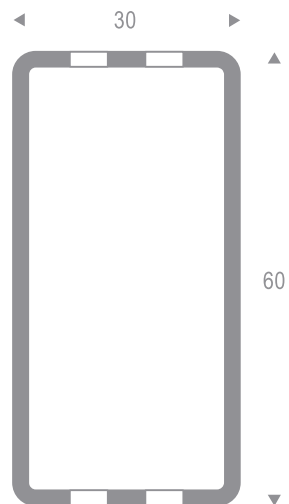
### SL406

4-way square steel post  
twin slotted, pitch 32mm



### SL407

2-way rectangular steel post  
twin slotted, pitch 32mm



#### Typical fixing detail

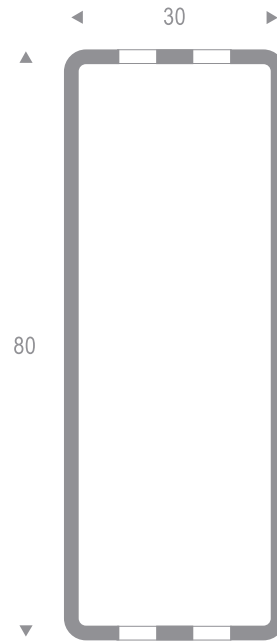
With the addition of wall ties, feet, tie rails etc. these sections can all be used for perimeters, gondola construction or window displays.



This information is the strict copyright of Slimline Ltd and no portion should be used without written consent. We reserve the right to make changes to product specifications at any time. Slimline is a registered trade mark.

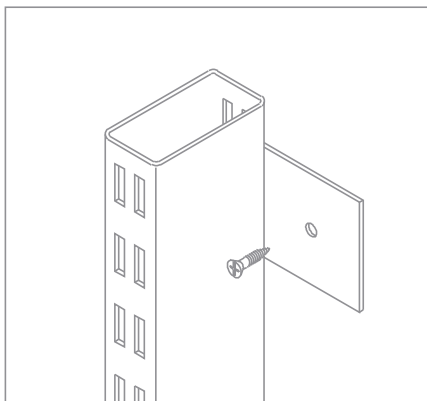
## SL408

2-way rectangular steel post  
twin slotted, pitch 32mm



## SL417

1-way rectangular steel channel  
twin slotted, pitch 32mm



### Typical fixing detail

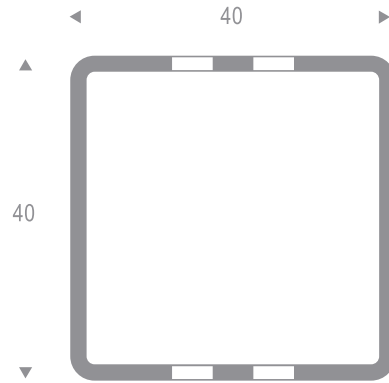
With the addition of wall ties, feet, tie rails etc. these sections can all be used for perimeters, gondola construction or window displays.



This information is the strict copyright of Slimline Ltd and no portion should be used without written consent. We reserve the right to make changes to product specifications at any time. Slimline is a registered trade mark.

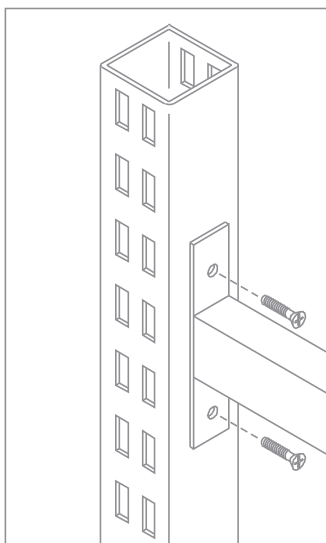
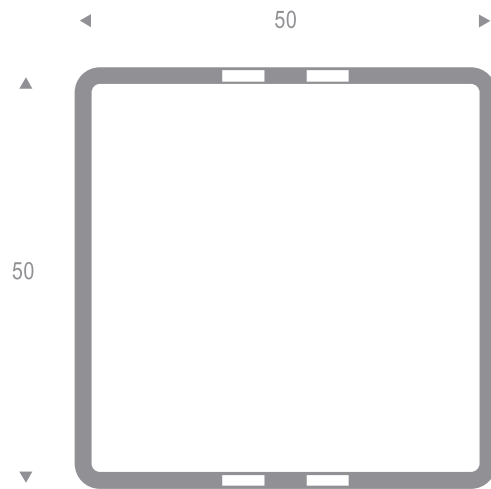
### SL418

2-way square steel post  
twin slotted, pitch 32mm



### SL419

2-way square steel post  
twin slotted, pitch 32mm



#### Typical fixing detail

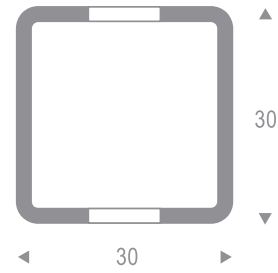
With the addition of wall ties, feet, tie rails etc. these sections can all be used for perimeters, gondola construction or window displays.



This information is the strict copyright of Slimline Ltd and no portion should be used without written consent. We reserve the right to make changes to product specifications at any time. Slimline is a registered trade mark.

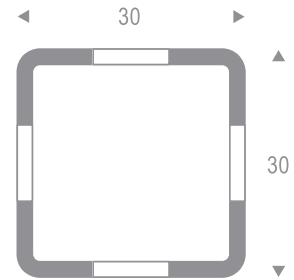
### SL400

2-way square steel post  
single slot, pitch 32mm



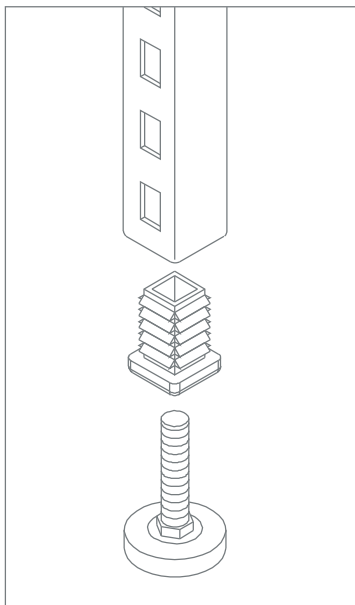
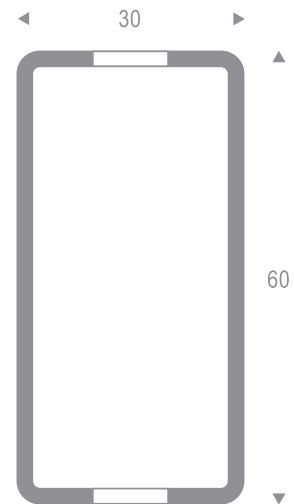
### SL401

4-way square steel post  
single slot, pitch 32mm



### SL402

2-way rectangular steel post  
single slot, pitch 32mm



#### Typical detail

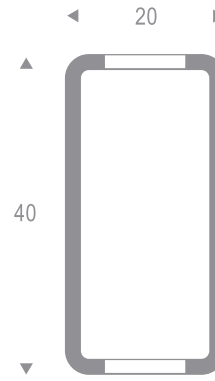
With the addition of wall ties, feet, tie rails etc. these sections can all be used for perimeters, gondola construction or window displays.



This information is the strict copyright of Slimline Ltd and no portion should be used without written consent. We reserve the right to make changes to product specifications at any time. Slimline is a registered trade mark.

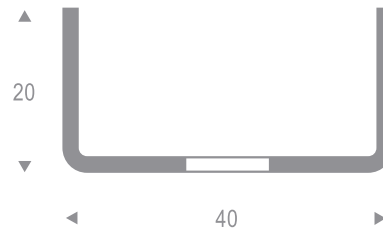
### SL410

2-way rectangular steel post  
single slot, pitch 32mm



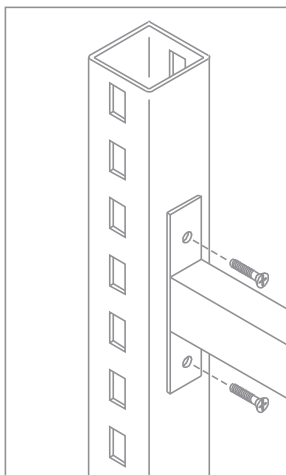
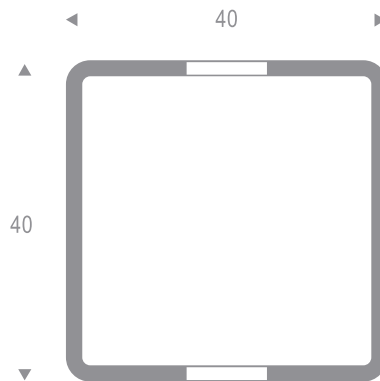
### SL411

1-way rectangular steel channel  
single slot, pitch 32mm



### SL412

2-way square steel post  
single slot, pitch 32mm



#### Typical fixing detail

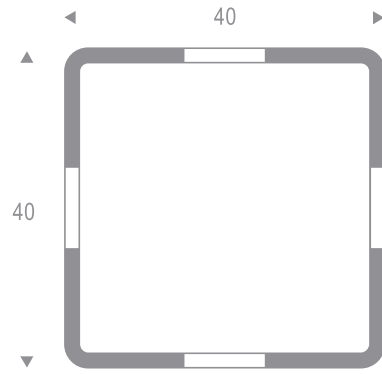
With the addition of wall ties, feet, tie rails etc. these sections can all be used for perimeters, gondola construction or window displays.



This information is the strict copyright of Slimline Ltd and no portion should be used without written consent. We reserve the right to make changes to product specifications at any time. Slimline is a registered trade mark.

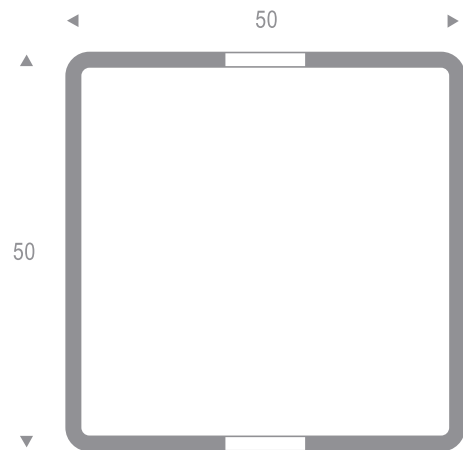
### SL413

4-way square steel post  
single slot, pitch 32mm



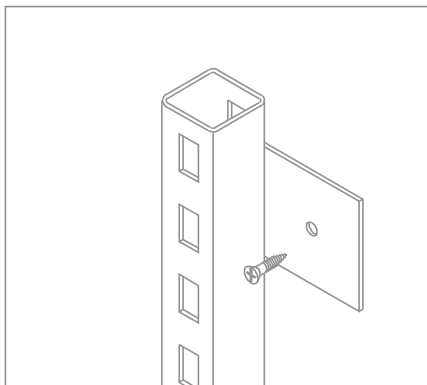
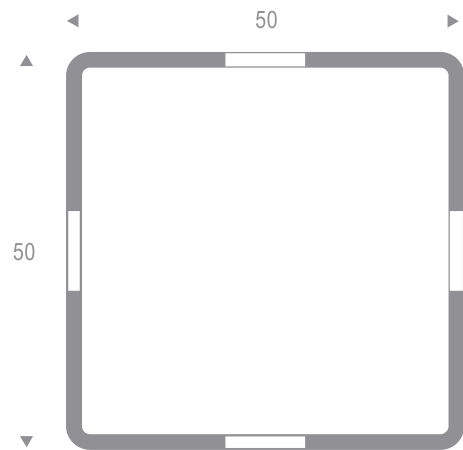
### SL414

2-way square steel post  
single slot, pitch 32mm



### SL415

4-way square steel post  
single slot, pitch 32mm



#### Typical fixing detail

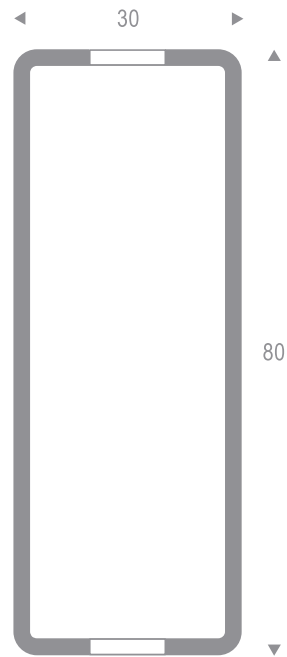
With the addition of wall ties, feet, tie rails etc. these sections can all be used for perimeters, gondola construction or window displays.



This information is the strict copyright of Slimline Ltd and no portion should be used without written consent. We reserve the right to make changes to product specifications at any time. Slimline is a registered trade mark.

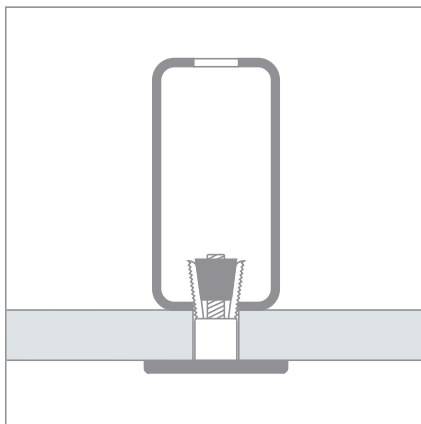
## SL403

2-way rectangular steel post  
single slot, pitch 32mm



## SL061

Panel retaining clip in clear acrylic for single slotted posts



Typical fixing detail  
SL061 panel retaining clip

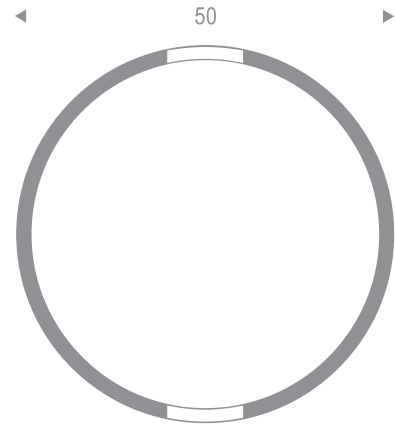




This information is the strict copyright of Slimline Ltd and no portion should be used without written consent. We reserve the right to make changes to product specifications at any time. Slimline is a registered trade mark.

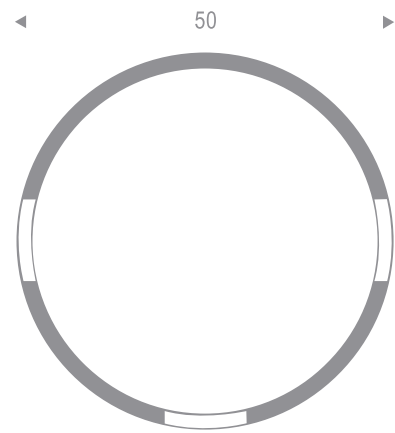
### SL425

2-way rectangular steel post  
single slot, pitch 32mm



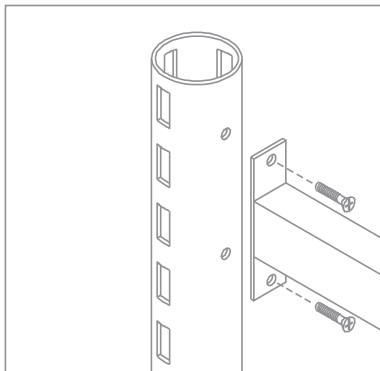
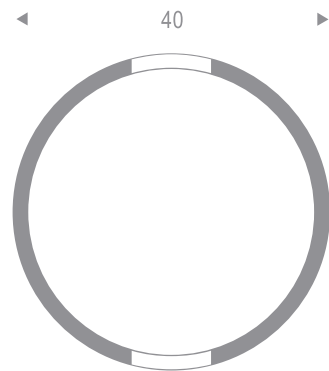
### SL426

3-way circular steel post  
single slot, pitch 32mm



### SL422

2-way circular steel post  
single slot, pitch 32mm



#### Typical fixing detail

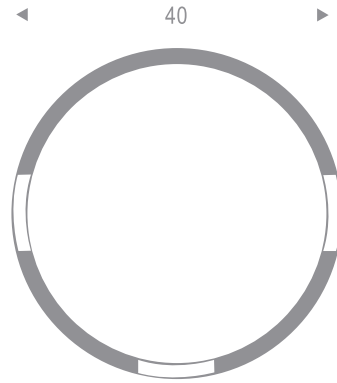
With the addition of wall ties, feet, tie rails etc. these sections can all be used for perimeters, gondola construction or window displays.



This information is the strict copyright of Slimline Ltd and no portion should be used without written consent. We reserve the right to make changes to product specifications at any time. Slimline is a registered trade mark.

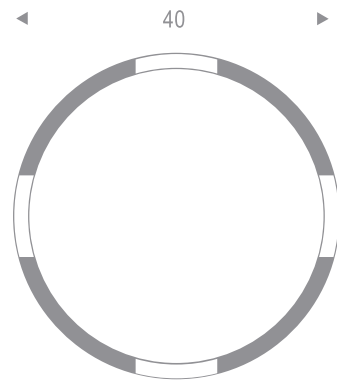
### SL423

3-way rectangular steel post  
single slot, pitch 32mm



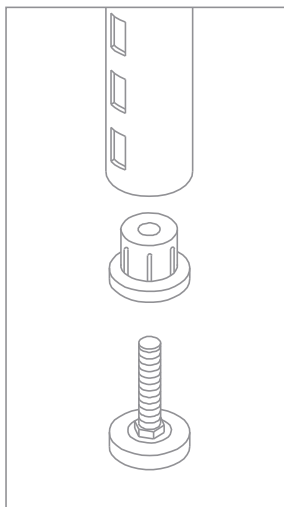
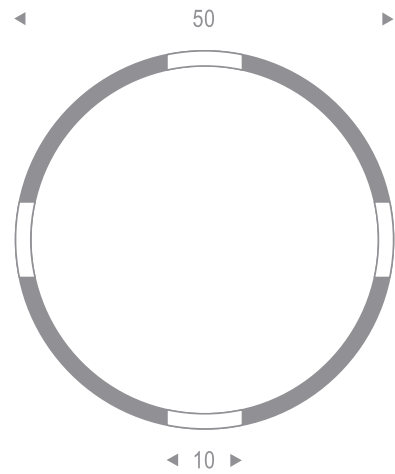
### SL424

4-way circular steel post  
single slot, pitch 32mm



### SL427

4-way circular steel post  
single slot, pitch 32mm



**Typical detail**

With the addition of wall ties, feet, tie rails etc. these sections can all be used for perimeters, gondola construction or window displays.



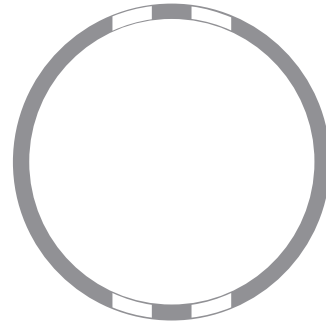
This information is the strict copyright of Slimline Ltd and no portion should be used without written consent. We reserve the right to make changes to product specifications at any time. Slimline is a registered trade mark.

### SL429

2-way rectangular steel post  
twin slot, pitch 32mm



◀ 40 ▶

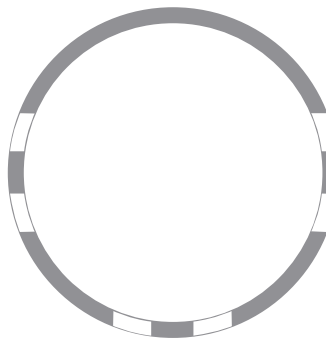


### SL430

3-way circular steel post  
twin slot, pitch 32mm



◀ 40 ▶

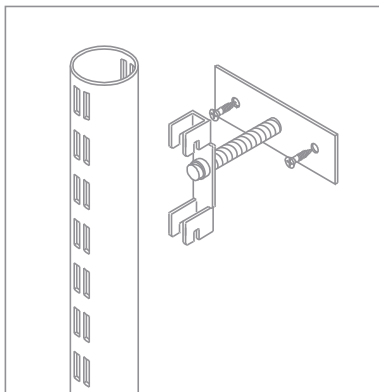
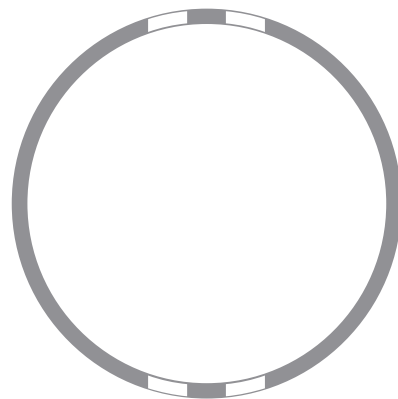


### SL432

2-way circular steel post  
twin slot, pitch 32mm



◀ 50 ▶



#### Typical fixing detail

With the addition of wall ties, feet, tie rails etc. these sections can all be used for perimeters, gondola construction or window displays.



This information is the strict copyright of Slimline Ltd and no portion should be used without written consent. We reserve the right to make changes to product specifications at any time. Slimline is a registered trade mark.



There are a number of standard applications of the Slimline Steel Modular System. Complete wall systems are designed to offer strength and durability to enable customers to display longer runs of product. Steel units including 4-way rails allow flexibility and strength in a mid-floor location.

Please contact us to discuss your specific requirements on +44 [0] 8456 77 00 22.

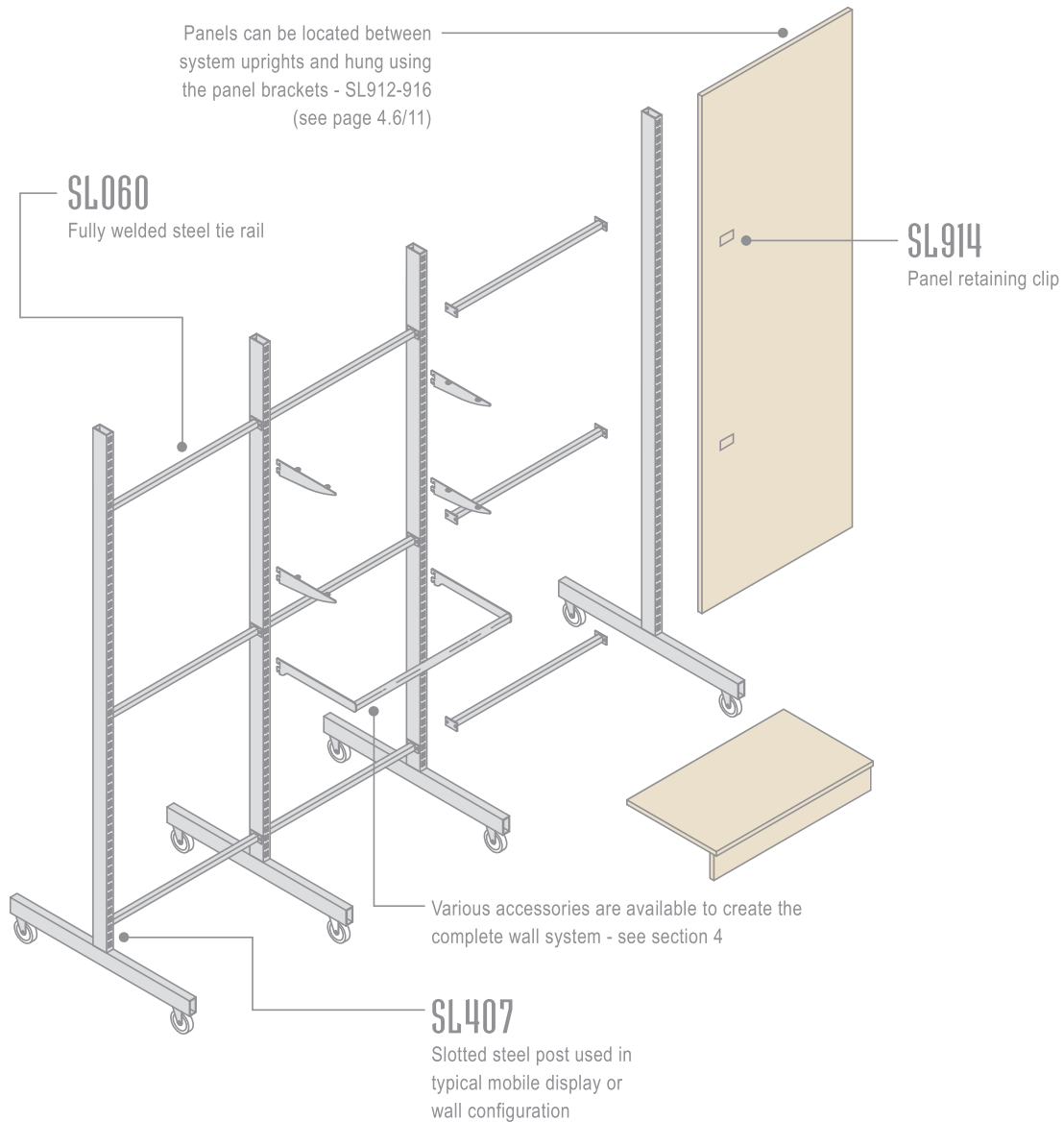


SLIMLINE™ steel modular systems

This information is the strict copyright of Slimline Ltd and no portion should be used without written consent. We reserve the right to make changes to product specifications at any time. Slimline is a registered trade mark.

Slimline's range of accessories for aluminium systems can also be supplied to suit slotted steel columns. Please see section 4 for more details. Slimline also manufacture various accessories such as tie bars and wall brackets, which can form part of a complete modular steel system made to suit the clients requirements.

For more details please contact a member of the Slimline sales team on +44 [0] 8456 77 00 22.



This information is the strict copyright of Slimline Ltd and no portion should be used without written consent. We reserve the right to make changes to product specifications at any time. Slimline is a registered trade mark.

## SL460

Plain back panel for steel modular systems.  
Powder coat finish



## SL461

Perforated back panel for steel modular systems.  
Powder coat finish



## SL462

Slotted back panel for steel modular systems.  
Powder coat finish



SLIMLINE™ steel modular systems



This information is the strict copyright of Slimline Ltd and no portion should be used without written consent. We reserve the right to make changes to product specifications at any time. Slimline is a registered trade mark.

## SL480-481

Slimlock vertical laser cut rail. 2400mm long x 3mm thick painted finish

Part No:	Side for fixing
SL480	left
SL481	right



## SL482-483

Slimlock vertical laser cut rail. 2000mm long x 3mm thick painted finish

Part No:	Side for fixing
SL482	left
SL483	right



## SL484-485

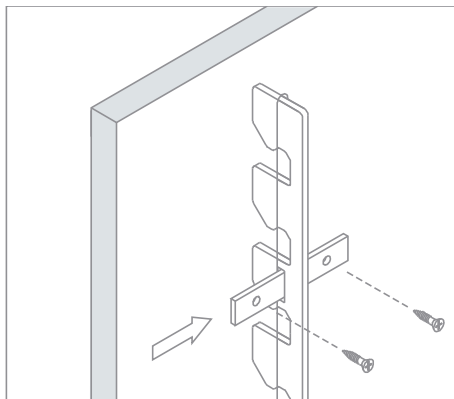
Slimlock vertical laser cut rail. 1200mm long x 3mm thick painted finish

Part No:	Side for fixing
SL484	left
SL485	right

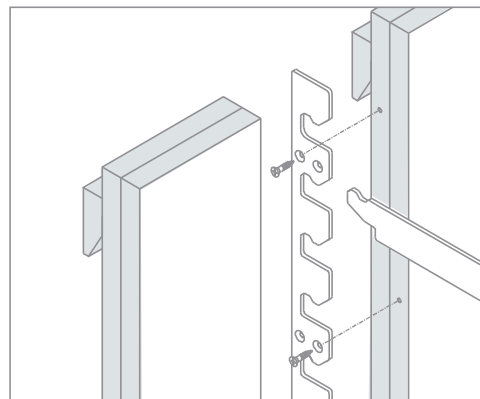


## SL488

Slimlock fixing plate required when inserting into 18mm panel from rear. Painted finish



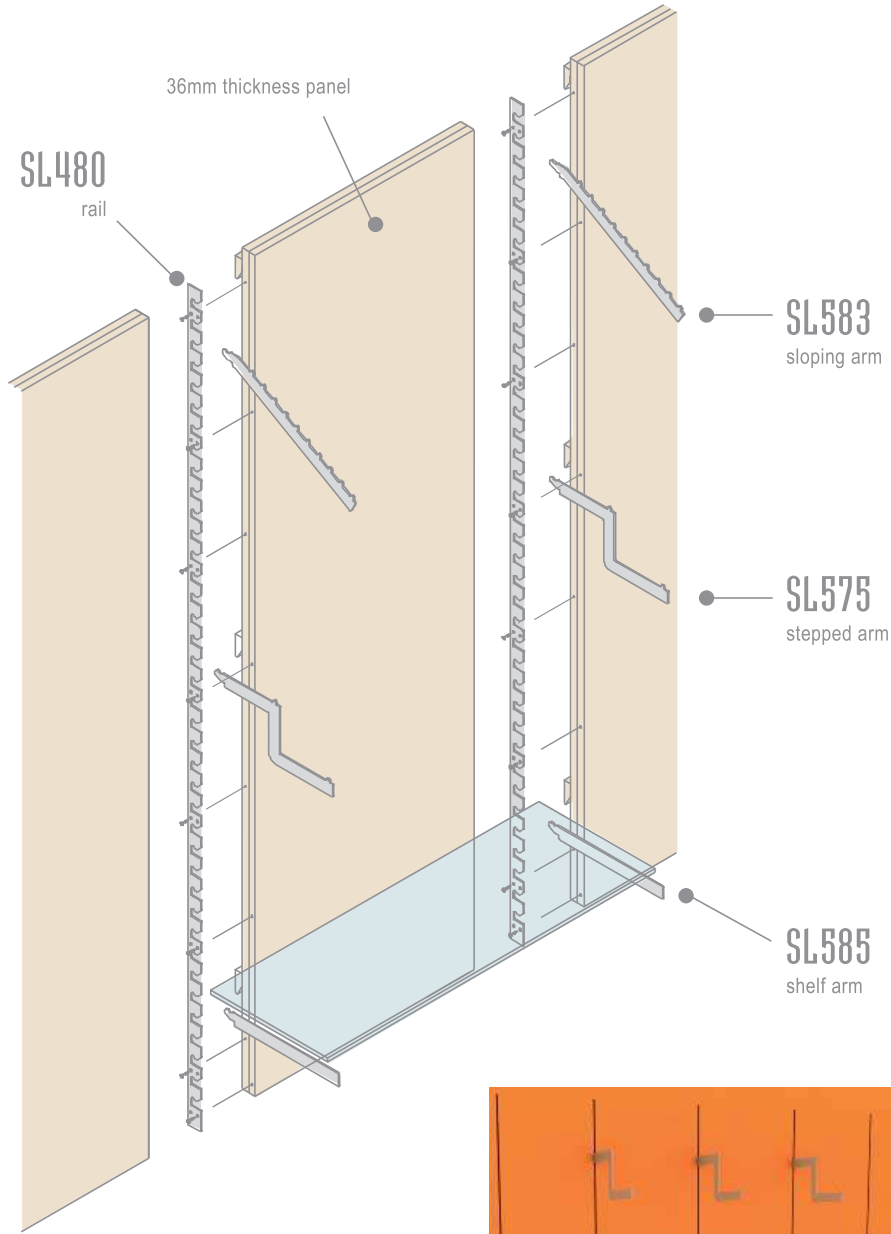
**Typical fixing detail**  
Rear fixing view for 18mm panel



**Typical fixing detail**  
Left hand fixing for 36mm panel



This information is the strict copyright of Slimline Ltd and no portion should be used without written consent. We reserve the right to make changes to product specifications at any time. Slimline is a registered trade mark.



SLIMLINE™ steel modular systems