

This information is the strict copyright of Slimline Ltd and no portion should be used without written consent. We reserve the right to make changes to product specifications at any time. Slimline is a registered trade mark.

contents

socket

panel sockets - round / square face	3.1
micro sockets - round / square face	3.1
puk / micro puk	3.2



Slimline Socket is a single point system offering a clean and minimalist way of displaying products on vertical surfaces such as wall panels and pillars or from horizontal surfaces such as plinths and floors.

The sockets blend into the interior environment and can be set at any height or position required to enable a variety of merchandising and graphic presentations.

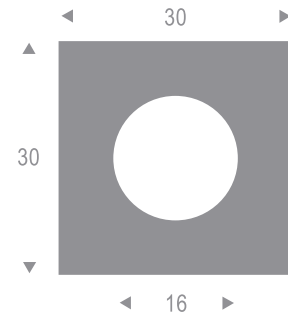
Slimline Socket provides for an alternative technique of display to other Slimline systems. Yet, at the same time, can achieve the same visual effect. Dramatic effects can also be attained by integrating Socket into vertical and horizontal displays. Using the large array of accessories designed to complement the shape of the socket face.



This information is the strict copyright of Slimline Ltd and no portion should be used without written consent. We reserve the right to make changes to product specifications at any time. Slimline is a registered trade mark.

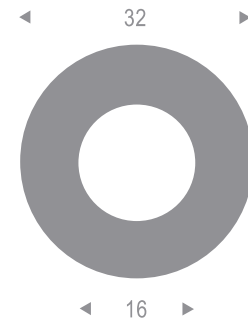
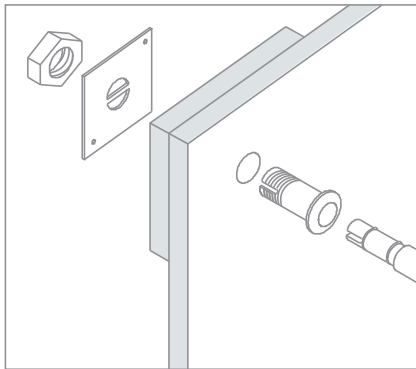
SL700

Square faced socket,
with anti-rotation groove.
Suitable for Ø20mm socket accessories.
36mm panel thickness



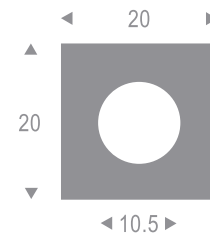
SL710

Round faced socket,
with anti-rotation groove.
Suitable for Ø20mm socket accessories.
36mm panel thickness



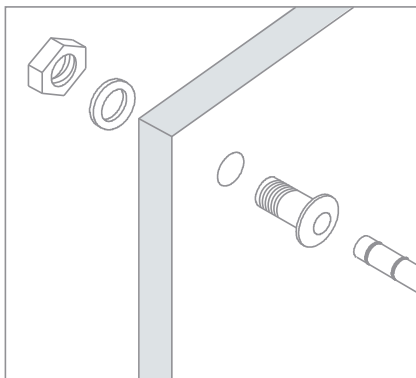
SL702

Square faced micro socket.
Suitable for Ø10mm micro socket accessories.
18mm panel thickness

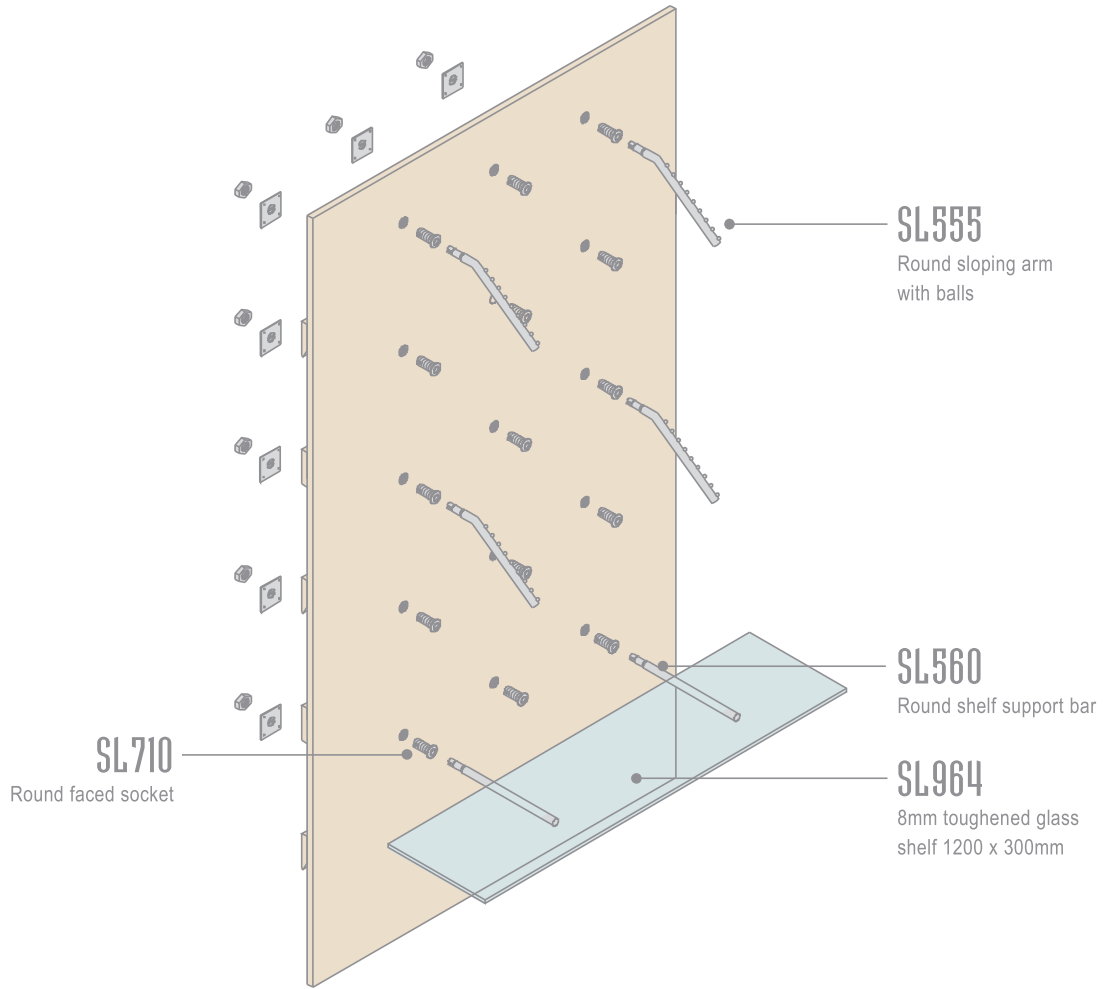


SL712

Round face micro socket.
Suitable for Ø10mm micro socket accessories.
18mm panel thickness



This information is the strict copyright of Slimline Ltd and no portion should be used without written consent. We reserve the right to make changes to product specifications at any time. Slimline is a registered trade mark.



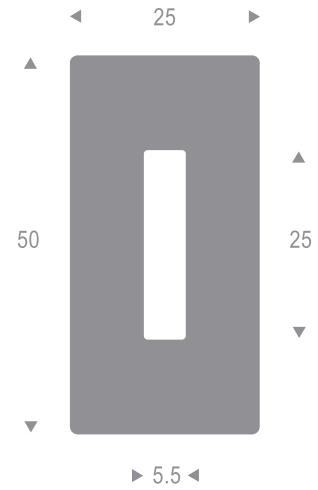
SLIMLINE™ socket systems



This information is the strict copyright of Slimline Ltd and no portion should be used without written consent. We reserve the right to make changes to product specifications at any time. Slimline is a registered trade mark.

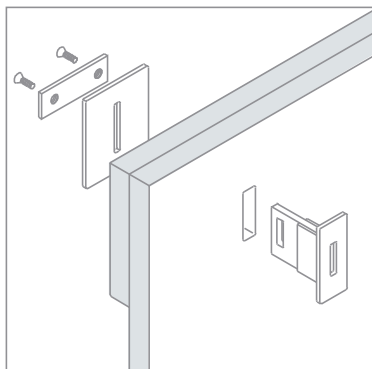
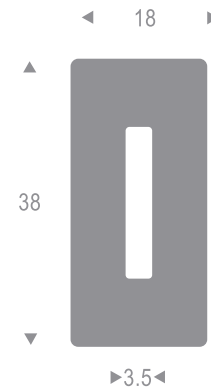
SL720

Rectangular puk socket
Suitable for puk accessories.
18+18mm panel thickness

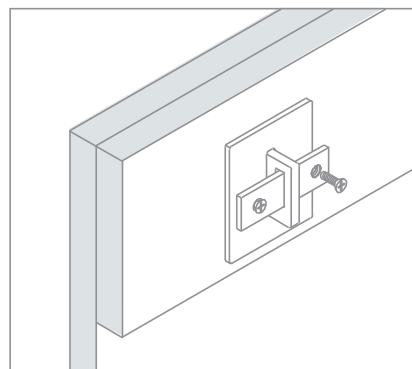


SL722

Rectangular micro puk socket.
Suitable for use with micro puk accessories
18+18mm panel thickness



Typical fixing detail
exploded detail



Typical fixing detail
real of panel detail

